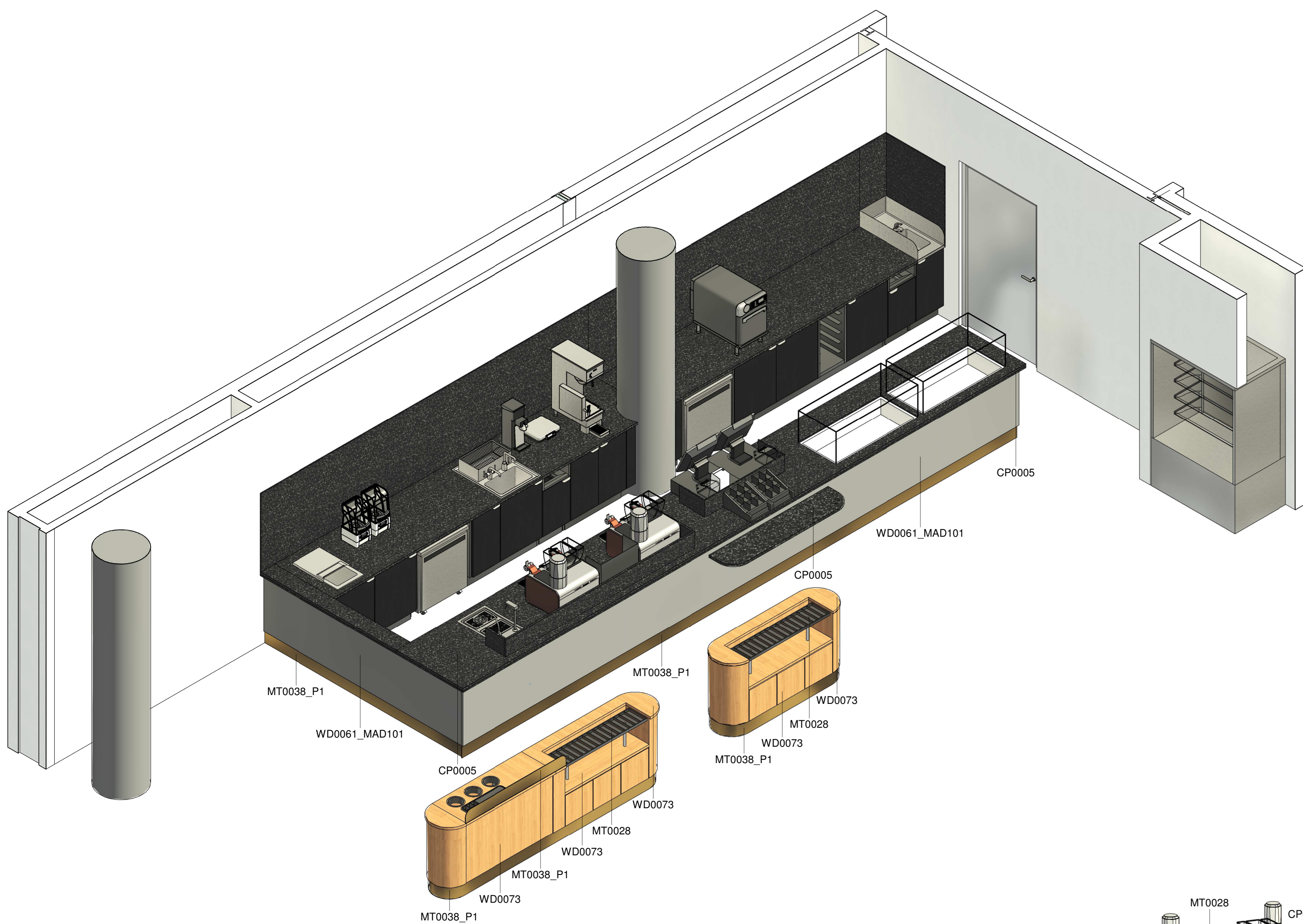
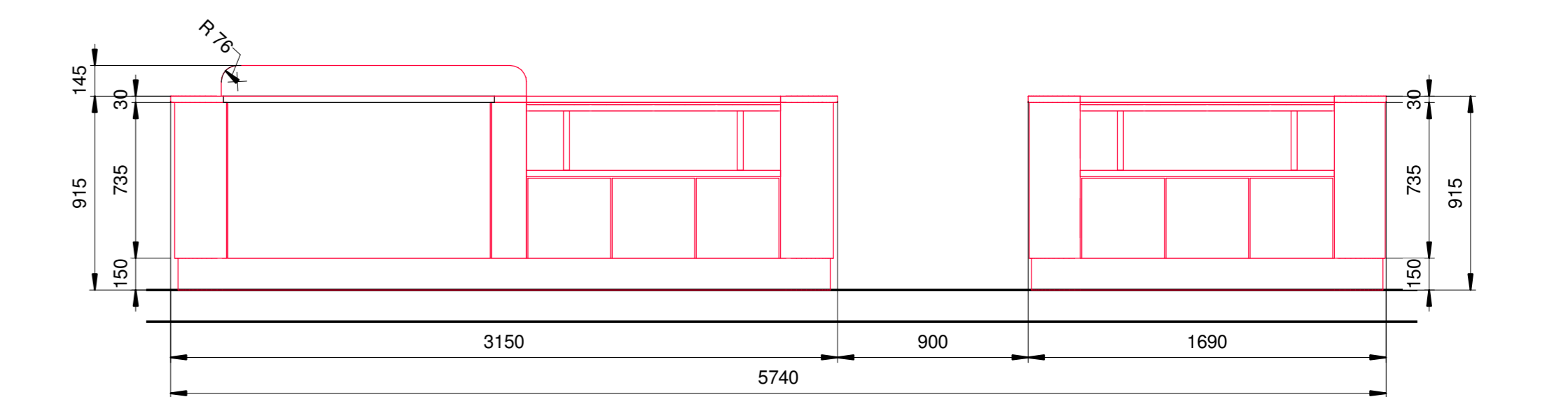
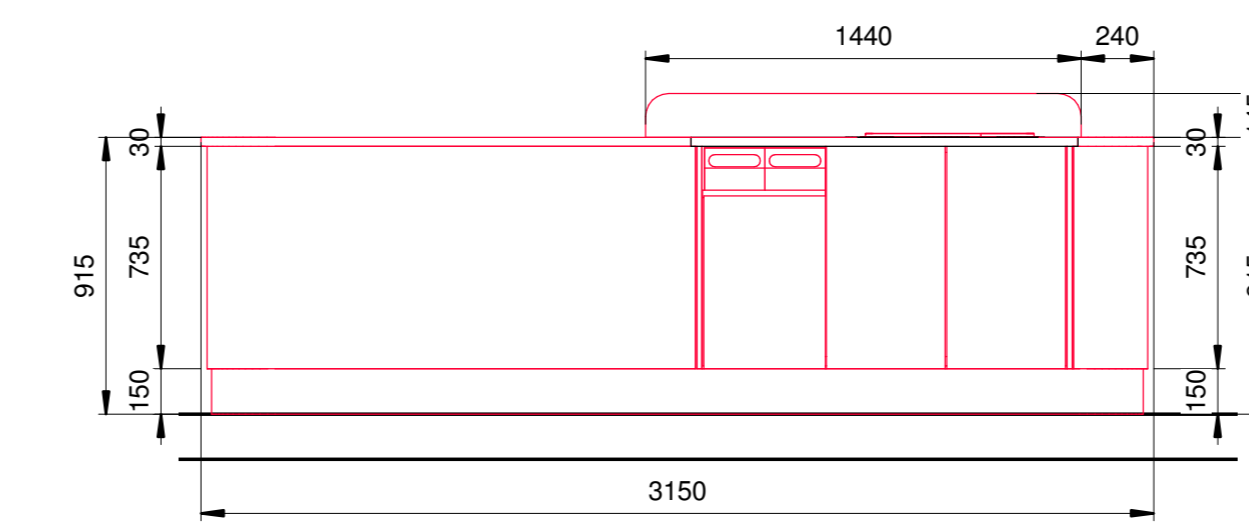


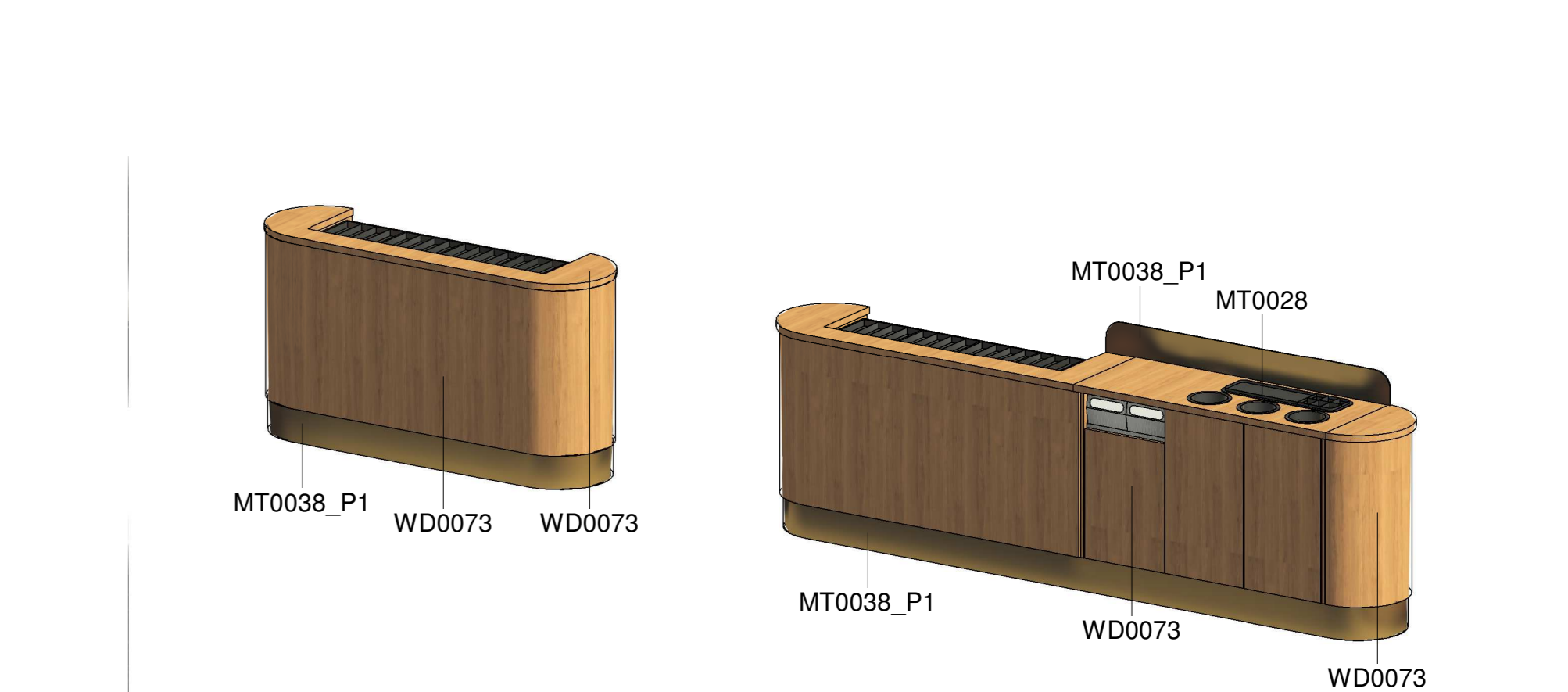
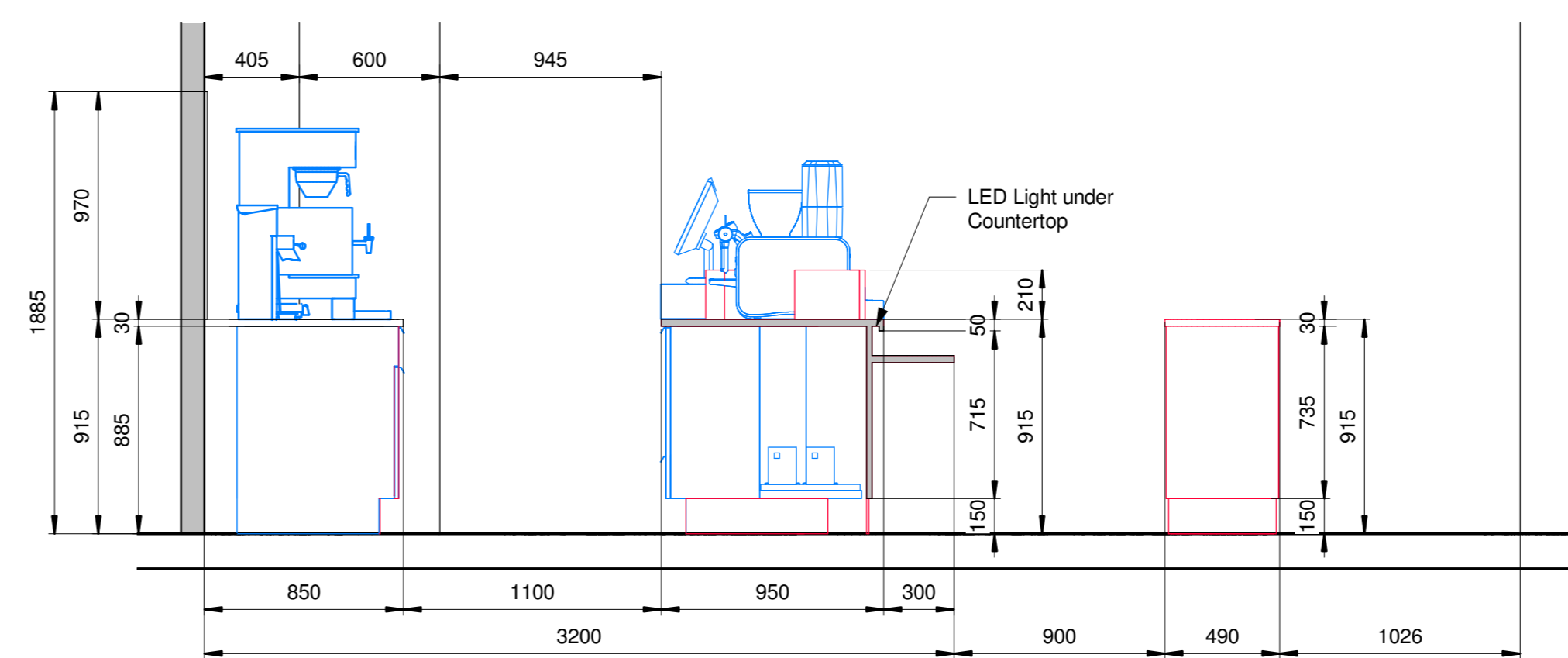
**1 K1 Layout**  
1:25

**4 K1 Frontline**  
1:25



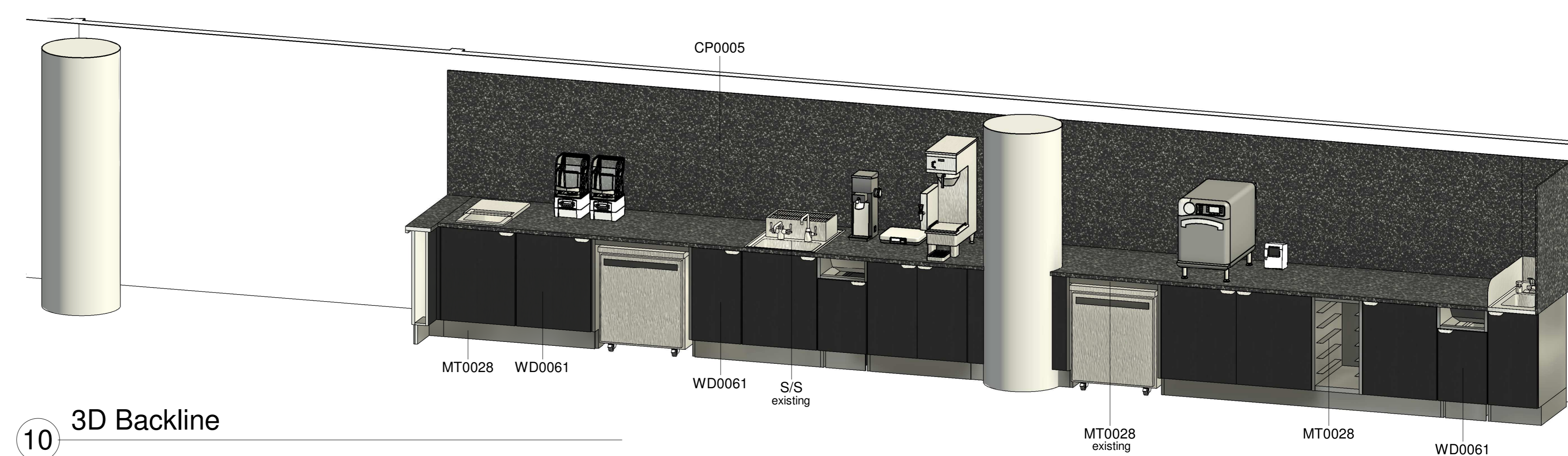
**5 K1 Condiment Front**  
1:25

**6 K1 Condiment & Merch**  
1:25



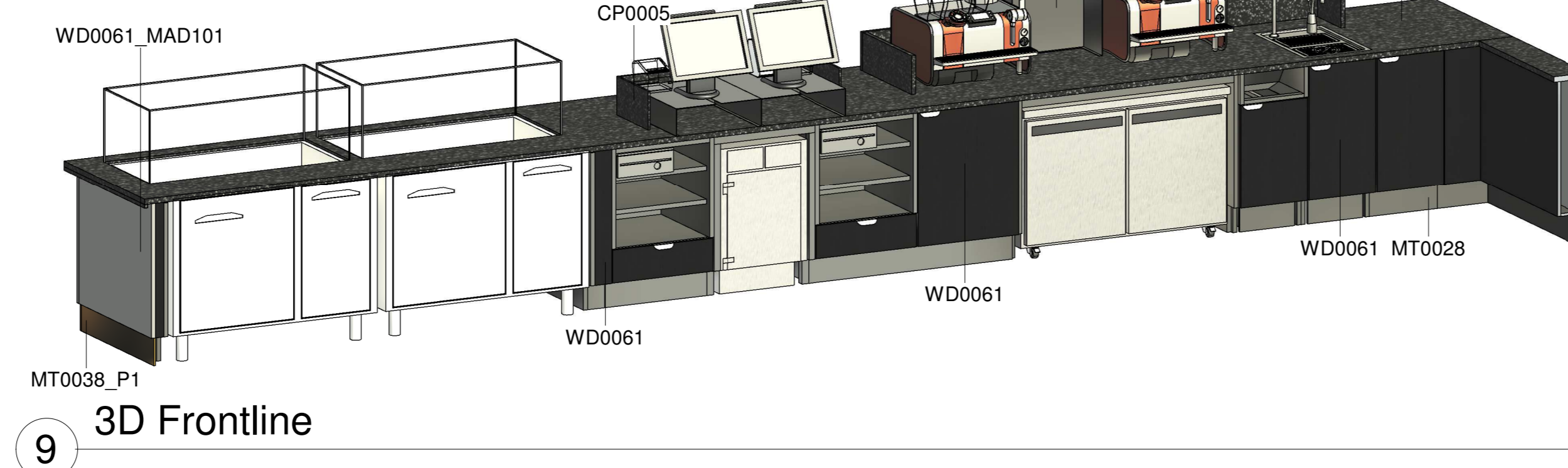
**7 K1 Section POS**  
1:25

**8 3D Condiment & Merch**



**Material Palette**

CP0005	WD0061 MAD101	WD0061	MT0028	MT0038_P1	WD0073	S/S
Countertop Backline CP0005	Frontline Countertop WD0061 MAD101	Back Cabinet Doors WD0061	Plinth MT0028	Plinth MT0038_P1	Condiment & Merch WD0073	Stainless Steel
Countertop Backline CP0005	Frontline Countertop WD0061 MAD101	Back Cabinet Doors WD0061	Plinth MT0028	Plinth MT0038_P1	Condiment & Merch WD0073	Stainless Steel



**COLOUR CODE NEW CONSTRUCTION**

	Wall existing
	Wall new
	Wall Demolished
	Floor drain existing
	Floor drain new
	Floor drain demolished

**COLOUR CODE EQUIPMENT**

	Equipment existing
	Equipment relocated
	Equipment new
	Equipment future
	Equipment optional
	Equipment demolished

**DISCLAIMER**

**General:**  
All structural changes shown on this layout are nonbinding planning proposals. All proposals must be reviewed & approved by a registered architect. Franke accepts no liability or responsibility for all structural (static and/or substantial construction) proposals.

**Electrical and sanitary installations:**  
All electrical and sanitary installations, as well as any other water supplies, must be carried out in accordance with local laws and regulations. Should any specifications on this drawing not be in compliance with such regulations, please contact the layout provider.

**Data and POS systems:**  
The Franke company does not create or take into account any supply in the area of data and cash register systems. The planning and implementation of the connection of monitors, printers and POS systems is the responsibility of the on-site executing company. Any elements shown are for illustrative purposes and do not constitute a basis for planning!

E	Overwork Backline		HJ025
D	DR from 02.10.2023, Overwork Countertop & Merge Table		HJ025
C	Front- & Backline from 654843		HJ025
B			HJ025

Revision Index	Description	Date	Drawn by
Starbucks	Restaurant	5037489	
7511	HN Enschede	679791	
Van Heekplein 96			
NEW STORE	Layout		
31-120007187	E	K1	Matthew Wright
NLD	AO	mm	a.r.